

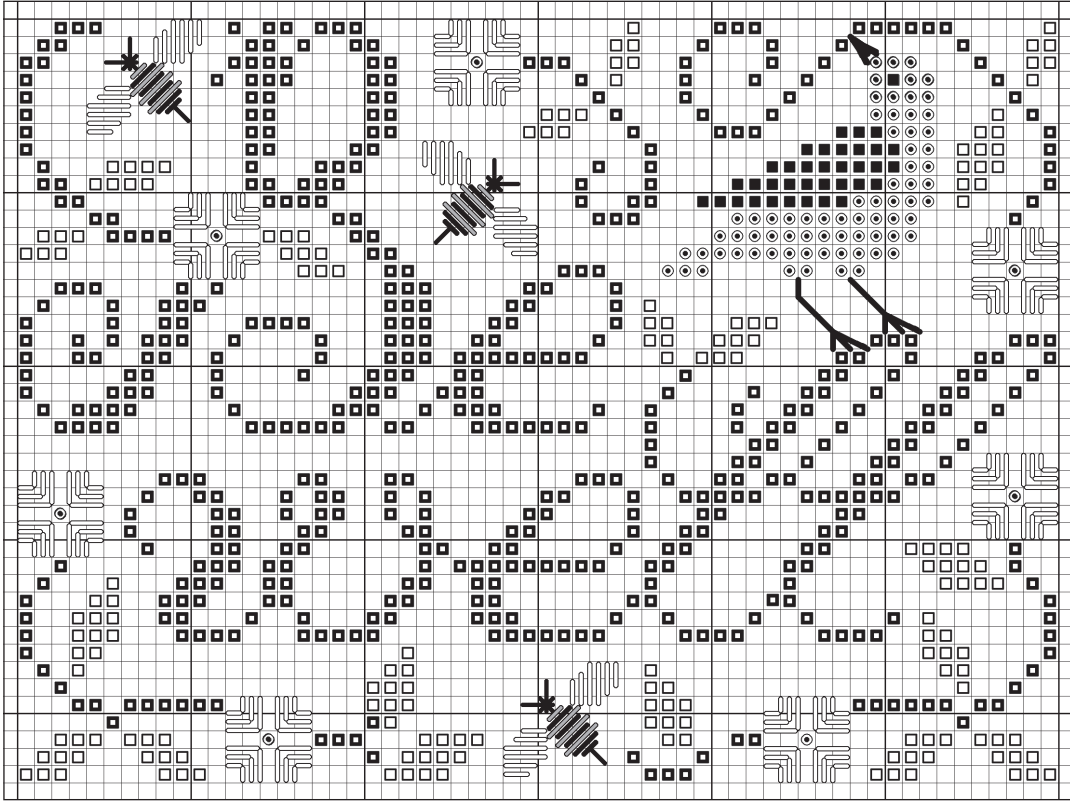
THE
DRAWN HREAD
CHARTED NEEDLEWORK DESIGNS



BE WELL

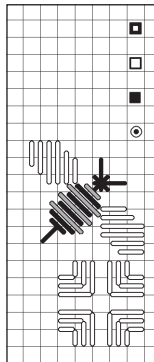
BE WELL

60 stitches wide x 44 stitches tall



On 30 Count "Antique Lambswool"
Linen using 1 ply floss over two
threads of linen
unless otherwise specified
in the stitch/color key.

Back Stitch:
Bird Beak and legs
in 1 ply 310, Black



DMC 520	Dark Green	Cross Stitch	1 ply
DMC 522	Light Green	Cross Stitch	1 ply
DMC 310	Black	Cross Stitch	1 ply
DMC 729	GoldenYellow	Cross Stitch	1 ply

See Stitch diagram for instructions and colors

DMC 3836	Medium Violet	Flower	2 ply
----------	---------------	--------	-------

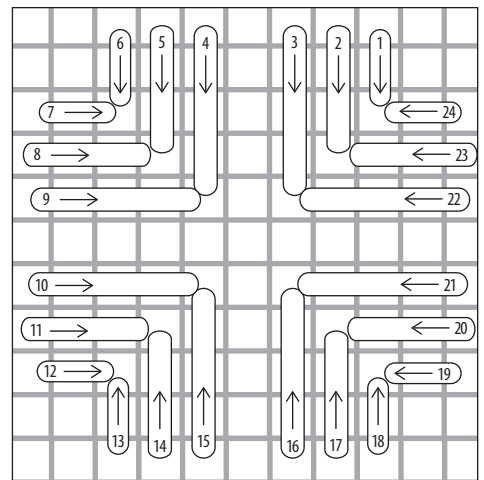
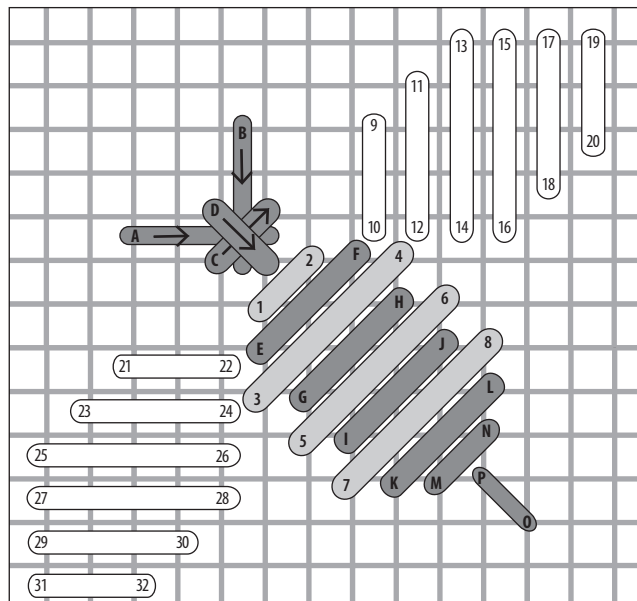
Satin Stitch Bee

Legs A-B and C-D:
1 ply 310, Black

Legs E - P:
2 ply 310, Black

Legs 1 - 8:
2 ply 729, Golden Yellow

Legs 9 - 32:
2 ply Blanc, White



Flower

BE WELL

44 Stitches Tall X 60 Stitches Wide

SUPPLIES

30 Count Antique Lambswool Linen cut to 9" X 10"

DMC Embroidery Floss in:

310 - Black

520 - Dark Green

522 - Light Green

729 - Golden Yellow

3836 - Medium Violet

Blanc - White



www.drawnthread.com

drawnthread@mac.com